



## World Sailing Offshore Special Regulations

Extract for **Category 3 Multihulls**

**JANUARY 2022 – DECEMBER 2023**

© ORC Ltd. 2002, amendments 2003-2022 © World Sailing Limited

**Version 0.8 – 15 February 2022**



## With Sail Canada Prescriptions

**Because this is an extract not all paragraph numbers will be present**

The inspection card is attached as [Appendix F](#) below.

### Copyright

When reprinting these regulations Race Organizers should:

- request copyright permission from World Sailing and ORC Ltd (normally given free of charge)
- display a copyright acknowledgement with the reprint (similar to © ORC Ltd. 2002, amendments 2003-2022 © World Sailing Limited)
- make any amendments by deleting contrary provisions and indicating that changes have been made
- supply a copy of the reprint to each of World Sailing and ORC Ltd

Official interpretations shall take precedence over these Special Regulations and will be indexed, numbered, dated and displayed on the World Sailing web site

<https://www.sailing.org/inside-world-sailing/rules-regulations/offshore-special-regulations/>

### Language & Abbreviations Used

Mo - Monohull

Mu - Multihull

" \*\* " means the item applies to all types of boat in all Categories except 5 for which see Appendix B or 6 for which see Appendix C.

**RED TYPE indicates a significant change in 2022**

*ITALIC TYPE indicates a term defined in Offshore Special Regulation 1.03.1*

### **BOLD BLUE TYPE indicates a Sail Canada Prescription**

*Guidance notes and recommendations have been removed from the Regulations and are available on*

<https://www.sailing.org/inside-world-sailing/rules-regulations/offshore-special-regulations/>

The use of the masculine gender shall be taken to mean either gender

### **Administration**

*The Offshore Special Regulation are administered by the World Sailing Special Regulation Sub-Committee whose terms of reference are as follows: (<https://www.sailing.org/inside-world-sailing/rules-regulations/constitution-regulations/>)*

*World Sailing Regulation 6.9.8.3 - The Special Regulations Sub-Committee shall:*

*(a) be responsible for the maintenance, revision and changes to the World Sailing Offshore Special Regulations governing offshore racing, under licence from ORC Ltd. Such changes shall be biennial with revised editions published in January of each even year, except that matters of an urgent nature affecting safety may be dealt with by changes to the Regulations on a shorter time scale;*

*(b) monitor developments in offshore racing relative to the standards of safety and seaworthiness.*

*Any queries please E-Mail: ([technical@sailing.org](mailto:technical@sailing.org))*

**For any queries regarding Sail Canada prescriptions please email: [offshore@sailing.ca](mailto:offshore@sailing.ca)**

## Offshore Special Regulations 2022-2023 Extract for Category 3 Multihulls

### SECTION 1 - FUNDAMENTAL AND DEFINITIONS

#### 1.01 Purpose and Use

- 1.01.1 The purpose of the Offshore Special Regulations (*OSR*) is to establish uniform minimum equipment, accommodation and training standards for **monohull** and **multihull** (excluding proa) boats racing offshore.
- 1.01.2 The OSR do not replace, but rather supplement, the requirements of governmental authority, Classification Society certification, the Racing Rules of Sailing (RRS), Equipment Rules of Sailing (ERS), class rules and Rating Systems.
- 1.01.3 Use of the OSR does not guarantee total safety of the boat and her crew. Particular attention is drawn to the description of OSRs for inshore racing which includes that adequate shelter and or effective rescue is available all along the course. This is not included in more onerous OSR categories.

#### 1.02 Responsibility of Person in Charge

- 1.02.1 **Under RRS 3 the responsibility for a boat's decision to participate in a race or continue racing is hers alone. The safety of a boat and her crew is the sole and inescapable responsibility of the Person in Charge who shall do his best to ensure that the boat is fully found, thoroughly seaworthy and manned by an experienced and appropriately trained crew who are physically fit to face bad weather. The person in charge shall also assign a person to take over his responsibilities in the event of his incapacitation.**

1.02.2 Neither the establishment of the OSR, nor their use by Organizing Authorities, nor the inspection of a boat under the OSR in any way limits or reduces the complete and unlimited responsibility of the Person in Charge.

- 1.02.3 By participating in a race conducted under the OSR, the person in charge, each competitor and boat owner agrees to reasonably cooperate with the organizing authority and World Sailing in the development of an independent incident report as specified in 2.02

#### 1.03 Definitions, Abbreviations, Word Usage

- 1.03.1 Definitions of Terms used in this document

Abbreviation	Description
#	Pound force (lbf)
ABS	American Bureau of Shipping
Age Date	Month/year of first launch
AIS	Automatic Identification Systems
CEN	Comité Européen de Normalisation
Coaming	The part of the cockpit, including the transverse after limit, over which water would run when the boat is floating level and the cockpit is filled to overflowing
COLREGS	International Regulations for Preventing Collisions at Sea
Contained Cockpit	A cockpit where the combined area open aft to the sea is less than 50% maximum cockpit depth x maximum cockpit width
CPR	Cardio-Pulmonary Resuscitation
Crewmember	Every person on board
DSC	Digital Selective Calling
EN	European Norm
EPIRB	Emergency Position-Indicating Radio Beacon
ERS	World Sailing - Equipment Rules of Sailing
FA Station	The transverse station at which the upper corner of the transom meets the sheerline.
First Launch	Month & year of first launch of the individual boat
Foul-Weather Suit	Clothing designed to keep the wearer dry and may consist of one piece or several

### Offshore Special Regulations 2022-2023 Extract for Category 3 Multihulls

GMDSS	Global Maritime Distress & Safety System
GNSS	Global Navigation Satellite System
GPS	Global Positioning System
Hatch	The term hatch includes the entire hatch assembly including the lid or cover as part of that assembly
HMPE	High Modulus Polyethylene (Dyneema®/Spectra® or equivalent)
<b>IBRD</b>	<b>International Beacon Registration Database</b>
IMO	International Maritime Organisation
IMSO	The International Mobile Satellite Organisation, the independent, intergovernmental organisation that oversees Inmarsat's performance of its Public Service Obligations for the GMDSS and reports on these to IMO
INMARSAT	Inmarsat Global Limited is a private company that provides GMDSS satellite distress and safety communications, plus general communications via voice, fax and data
ISAF	International Sailing Federation- (now World Sailing)
ISO	International Standard Organization or International Organization for Standardization
ITU	International Telecommunications Union
Jackstay	A securely fastened webbing or rope which permits a crewmember to move from one part of the boat to another without having to unclip a safety harness tether.
LH	Hull Length as defined by the ERS
Lifeline	Rope or wire line rigged as guardrail / guardline around the deck
LSA	IMO International Life-Saving Appliance Code
LWL	(Length of) loaded waterline
Monohull	A boat with one hull
Moveable Ballast	Material carried for the sole purpose of increasing weight and/or influencing stability and/or trim and which may be moved transversely but not varied in weight while a boat is racing
Multihull	A boat with more than one hull
Open Cockpit	A cockpit that is not a Contained Cockpit.
ORC	Offshore Racing Congress (formerly Offshore Racing Council)
OSR	Offshore Special Regulation(s)
Permanently Installed	The item is effectively built-in by e.g. bolting, welding, glassing etc. and may not be removed for or during racing.
PLB	Personal Locator Beacon
Primary Launch	Month & Year of first launch of the first boat of the production series or first launch of a non-series boat
Proa	Asymmetric Catamaran
Rode	Rope, chain, or a combination of both, which is used to connect an anchor to the boat.
RRS	World Sailing - Racing Rules of Sailing
Safety Line	A tether used to connect a safety harness to a strong point
SAR	Search and Rescue
SART	Search and Rescue Transponder
Securely Fastened	Held strongly in place by a method (e.g. rope lashings, wing-nuts) which will safely retain the fastened object in severe conditions including a 180° capsize and allows for the item to be removed and replaced during racing

## Offshore Special Regulations 2022-2023 Extract for Category 3 Multihulls

SOLAS	Safety of Life at Sea Convention
SSS	The Safety and Stability Screening numeral
Static Ballast	Material carried for the sole purpose of increasing weight and/or to influencing stability and/or trim and which is not moved or varied in weight while a boat is racing
Static Safety Line	A safety line (usually shorter than a <i>safety line</i> carried with a harness) kept clipped on at a work-station
STIX	ISO 12217-2 Stability Index
<b>STCW</b>	<b>Standards of Training - Certification of Watchkeeping</b>
Variable Ballast	Water carried for the sole purpose of influencing stability and/or trim and which may be varied in weight and/or moved while a boat is racing.
Waterline	The water surface when the boat is floating in measurement trim
World Sailing	formerly the International Sailing Federation or ISAF

1.03.2 The words "shall" and "must" are mandatory, and "should" and "may" are permissive.

1.03.3 The word "yacht" shall be taken as fully interchangeable with the word "boat".

## SECTION 2 - APPLICATION & GENERAL REQUIREMENTS

### 2.01 Categories of Events

Organizing Authorities shall select from one of the following categories and may modify the OSR to suit local conditions

#### 2.01.4 Category 3

Races across open water, most of which is relatively protected or close to shorelines.

### 2.02 Incident Reporting

The Organizing Authority of a race will establish whether any incidents occurred, which if reported would be likely to be relevant to evolving the Offshore Special Regulations, the plan review process, or in increasing safety. The Organizing Authority will follow any guidelines issued by World Sailing concerning incident reporting.

### 2.03 Inspection

A boat may be inspected at any time. If she fails to comply with the OSR her entry may be rejected or she will be subject to protest

### 2.04 General Requirements

2.04.1 All equipment required by OSR shall:

- a) function properly
- b) be regularly checked, cleaned and serviced
- c) if it has an expiry date, it will not have exceeded its expiry date whilst racing
- d) when not in use be stowed in conditions in which deterioration is minimised
- e) be readily accessible
- f) be of a type, size and capacity suitable and adequate for the intended use and size of the boat.

2.04.2 Heavy items shall be permanently installed or securely fastened

## SECTION 3 - STRUCTURAL FEATURES, STABILITY, FIXED EQUIPMENT

A boat shall be/have:

### 3.01 Strength of Build and Rig

3.01.1 Properly rigged, fully seaworthy and shall meet the OSR

3.01.2 Equipped with shrouds and at least one forestay that shall remain connected to the mast and the boat while racing (not applicable to boats with free-standing masts)

3.01.3 The forestay referenced above shall be sized and connected in a way that ensures it is capable of withstanding the full sailing loads independent of any headsail luff load capacity

### 3.02 Watertight and Structural Integrity of a Boat

3.02.1 Essentially watertight and all openings shall be capable of being immediately secured. Centreboard,

## Offshore Special Regulations 2022-2023 Extract for Category 3 Multihulls

daggerboard trunks and the like shall not open into the interior of a hull except via a watertight maintenance hatch with the opening entirely above the Waterline

### 3.05 Stability and Flotation - Multihulls

- 3.05.1 Watertight bulkheads and compartments (which may include permanently installed flotation material) in each hull, to ensure that the boat is effectively unsinkable and capable of floating in a stable position with at least half the length of one hull flooded (see OSR 3.13.2)
- 3.05.2 Transverse watertight bulkheads at intervals of not more than 4 m (13'-3") in every hull without accommodation if with a First Launch after 1998
- 3.05.3 Designed and built to resist capsize

### 3.07 Exits and Escape Hatches - Multihulls

#### 3.07.1 Exits

At least two exits in each hull which contains accommodations

#### 3.07.2 Escape Hatches, Underside Clipping Points & Handholds

- a) If 12 m (39'-4") LH and greater each hull which contains accommodation:
- i an escape hatch for access to and from the hull in the event of an inversion;
  - ii a minimum clearance diameter through each escape hatch of 450 mm (18") or when an escape hatch is not circular, sufficient clearance to allow a crewmember to pass through fully clothed on boats if First Launch after 2002
  - iii each escape hatch above the waterline when the boat is inverted;
  - iv each escape hatch at or near the midships station if First Launch after 2000
  - v each escape hatch on the side nearest the vessel's central axis for a catamaran if First Launch after 2002
- b) if a trimaran at least two escape hatches in compliance with the dimensions in OSR 3.07.2 a) ii if 12 m (39'-4") LH and greater if First Launch after 2002
- d) each escape hatch shall have been opened both from inside and outside within 6 months prior to the race
- e) appropriate handholds/clipping points on the underside sufficient for all crew (on a trimaran these shall be around the central hull)
- f) a catamaran with a central nacelle first launched after 2002 shall have on the underside around the central nacelle, handholds of sufficient capacity to enable all persons on board to hold on and/or clip on securely
- 3.07.3 if less than 12 m (39'-4") LH either escape hatches in compliance with OSR 3.07.2 a), b) and c) or:
- a) in each hull which contains accommodation, a station where an emergency hatch may be cut. The cutting line shall be clearly marked both inside and outside with an outline and the words "ESCAPE CUT HERE", and
  - b) tools suitable for cutting the emergency hatch, ready for instant use, adjacent to the cutting site. Each tool shall be secured to the vessel by a lanyard.

### 3.08 Hatches & Companionways

3.08.1 Hatch covers forward of the maximum beam station shall not open toward the interior of the boat, except hatches in the side of a coachroof or ports having an area of less than 0.071 m<sup>2</sup> (110 in<sup>2</sup>)

3.08.2 A hatch, including a hatch over a locker shall be:

- a) permanently attached and capable of being firmly shut immediately and remaining firmly shut in a 180° capsize

3.08.3 Hatches not conforming with 3.08.1 and 3.08.2 shall be clearly labelled and used in accordance with the following instruction "NOT TO BE OPENED AT SEA"

3.08.4 Companionway hatches:

- a) fitted with a strong securing arrangement which shall be operable from the exterior and interior even when the boat is inverted
- b) blocking devices:
  - i capable of being retained in position with the hatch open or shut
  - ii secured to the boat (e.g. by lanyard) for the duration of the race
  - iii permit exit in the event of inversion

3.08.7 if a multihull with a companionway hatch extending below the local sheerline either:

## Offshore Special Regulations 2022-2023 Extract for Category 3 Multihulls

- a) have a minimum sill height of 300 mm (12") and be capable of being blocked off up to the level of the local sheerline whilst giving access to the interior with the blocking device(s) in place; or
- b) be in compliance with ISO 11812 to design category A

### 3.09 Cockpits

[3.09.1](#) Cockpits that self-drain quickly by gravity at all angles of heel and are permanently incorporated as an integral part of the boat

3.09.2 A cockpit sole at least 2% LWL above the waterline (or in IMS boats with First Launch before 2003, at least 2% L above the waterline)

3.09.3 A bow, lateral, central or stern well is a cockpit for the purposes of OSR 3.09

#### 3.09.4 Cockpit Volume

The maximum combined volume below lowest coamings of all contained cockpits shall be:

- a) primary launch before April 1992: 9% (LWL x maximum beam x freeboard abreast the cockpit)
- b) primary launch after March 1992 as above for the appropriate category except that "lowest coamings" shall not include any aft of the FA station and no extension of a cockpit aft of the working deck shall be included in calculation of cockpit volume

#### 3.09.5 Cockpit Drains

Cockpit drain cross section area of unobstructed openings (after allowance for screens if fitted) shall be at least that of:

- a) 2 x 25 mm (1") diameter or equivalent for a boat less than 8.5 m (28') LH
- b) 4 x 20 mm (3/4") diameter or equivalent for a boat 8.5 m (28') LH or greater

### [3.10](#) Sea Cocks or Valves

Permanently installed sea cocks or valves on all through-hull openings below the waterline except for integral deck scuppers and instrument through-hulls

### 3.11 Sheet Winches

Sheet winches mounted in such a way that an operator is not required to be substantially below deck

### [3.12](#) Mast Step

The heel of a keel stepped mast securely fastened to the mast step or adjoining structure

### 3.13 Watertight Bulkheads

[3.13.1](#) Either a watertight "crash" bulkhead within 15% of LH from the bow and abaft the forward end of LWL, or permanently installed closed-cell foam buoyancy effectively filling the forward 30% LH of the hull

3.13.2 Any required watertight bulkhead to be strongly built to take a full head of water pressure without allowing any leakage into the adjacent compartment

### 3.14 Pulpits, Stanchions, Lifelines

[3.14.1](#) The perimeter of the deck surrounded by system of lifelines and pulpits as follows:

- a) Continuous lifelines fixed only at (or near) the bow and stern. However a gate on each side of a boat is permitted. Except at its end fittings and at gates, the movement of a lifeline in a fore-and-aft direction shall not be constrained. Temporary sleeving shall not modify tension in the lifeline.
- b) Minimum heights of lifelines and pulpit rails above the working deck and vertical openings:
  - i upper: 600 mm (24")
  - ii intermediate: 230 mm (9")
  - iii vertical opening: no greater than 380 mm (15") except that on a boat with a Primary Launch before 1993 where it shall be no greater than 560 mm (22")
  - iv a boat less than 8.5 m (28') LH may use a single lifeline system with a height between 450 mm (18") and 560 mm (22")
- c) Lifelines permanently supported at intervals of not more than 2.2 m (7'-2 1/2") and shall not pass outboard of supporting stanchions
- d) Pulpit and stanchion bases permanently installed with pulpits and stanchions mechanically retained in their bases
- e) The outside of pulpit and stanchion base tubes no further inboard from the edge of the working deck than 5% of maximum beam or 150 mm (6"), whichever is greater, nor further outboard than the edge of the

## Offshore Special Regulations 2022-2023 Extract for Category 3 Multihulls

working deck

- f) Stanchions straight and vertical except that:
  - i) within the first 50 mm (2") from the deck, stanchions shall not be displaced horizontally from the point at which they emerge from the deck or stanchion base by more than 10 mm (3/8")
  - ii) stanchions may be angled to not more than 10° from vertical at any point above 50 mm (2") from the deck
- g) A bow pulpit may be open provided the opening between the pulpit and any part of the boat does not exceed 360 mm (14")

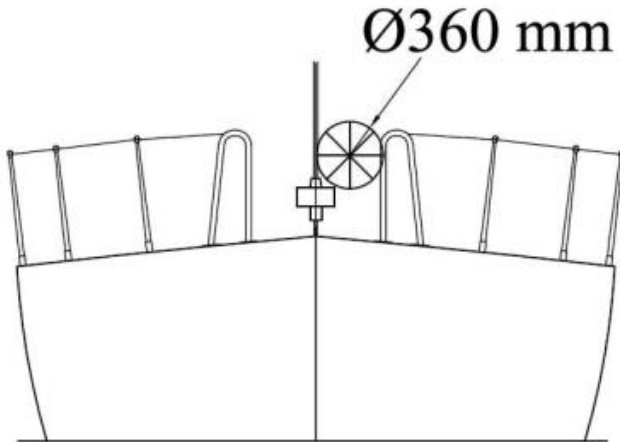


Figure 2 - Diagram Showing Pulpit Opening

- h) Lifelines may terminate at or pass through adequately braced stanchions set inside and overlapping the bow pulpit
- i) When a deflecting force of 4 kg (8.8 #) is applied to a lifeline at the mid-point of the longest span between supports that are aft of the mast, the deflection shall not exceed:
  - i) 50 mm (2") for an upper or single lifeline
  - ii) 120 mm (4 ¾") for an intermediate lifeline

### 3.14.2 Special Requirements for Pulpits, Stanchions, Lifelines on Multihulls

- a) When on a boat it is impractical to precisely follow OSR regarding pulpits, stanchions, lifelines, the regulations for monohulls shall be followed as closely as possible

### 3.14.6 Lifeline Specifications

- a) Lifelines of either:
  - i) stranded stainless steel wire
  - ii) HMPE
- b) The minimum diameter is specified in table 8 below
- c) Stainless steel lifelines shall be uncoated and used without close-fitting sleeving, however, temporary sleeving may be fitted provided it is regularly removed for inspection.
- d) A lanyard of synthetic rope may be used to secure lifelines provided the gap it closes does not exceed 100 mm (4"). This lanyard shall be replaced annually
- e) All components of the lifeline enclosure system shall have a breaking strength no less than the lifeline
- f) When HMPE is used, it shall be protected from chafe and spliced in accordance with the manufacturer's recommended procedures

## Offshore Special Regulations 2022-2023 Extract for Category 3 Multihulls

Table 8

LH	Wire Min. lifeline diameter	HMPE rope (Single braid) min. lifeline diameter	HMPE Core (Braid on braid) min. lifeline diameter
under 8.5m (28')	3mm (1/8")	4mm (5/32")	4mm (5/32")
8.5m - 13m	4mm (5/32")	5mm (3/16")	5mm (3/16")
over 13m (42' 8")	5mm (3/16")	5mm (3/16")	5mm (3/16")

### **3.15 Multihull Nets or Trampolines**

3.15.1 The words "net" and "trampoline" are interchangeable. A net shall be:

- a) essentially horizontal
- b) made from durable woven webbing, water permeable fabric, or mesh with openings not larger than 5 cm (2") in any dimension. Attachment points shall be planned to avoid chafe. The junction between a net and a boat shall present no risk of foot trapping
- c) solidly fixed at regular intervals on transverse and longitudinal support lines and shall be fine-stitched to a bolt rope
- d) able to carry the full weight of the crew either in normal working conditions at sea or in case of capsize when the boat is inverted.

### **3.15.2 Trimarans with Double Crossbeams**

A trimaran with double crossbeams shall have nets on each side covering:

- a) the area formed by the crossbeams, central hull and outriggers
- b) the triangles formed by the aft end of the central pulpit, the mid-point of each forward crossbeam, and the intersection of the crossbeam and the central hull
- c) the triangles formed by the aftermost part of the cockpit or steering position (whichever is furthest aft), the mid-point of each after crossbeam, and the intersection of the crossbeam and the central hull; except that:
- d) OSR 3.15.2(c) is not a requirement when cockpit coamings and/or lifelines are present which comply with the minimum height requirements in OSR 3.14

### **3.15.3 Trimarans with Single Crossbeams**

A trimaran with a single crossbeam shall have nets between the central hull and each outrigger on each side between two straight lines from the intersection of the crossbeam and the outrigger, respectively to the aft end of the pulpit on the central hull, and to the aftermost point of the cockpit or steering position on the central hull (whichever is furthest aft)

### **3.16 Catamarans**

3.16.1 A catamaran shall have nets covering the area defined:

- a) laterally by the hulls; and
- b) longitudinally by transverse stations through the forestay base, and the aftermost point of the boom lying fore and aft. However, a catamaran with a central nacelle (non-immersed) may satisfy the regulations for a trimaran

### **3.18 Toilet**

**3.18.2** Permanently installed toilet or fitted bucket

### **3.19 Bunks**

**3.19.2** Permanently installed bunks

### **3.20 Cooking Facilities**

Permanently installed cooking stove, capable of being operated safely at sea, with fuel shutoff control

### **3.21 Drinking Water Tanks & Drinking Water**

#### **3.21.1 Drinking Water Tanks**

- a) Permanently installed delivery pump and water tank(s)



## Offshore Special Regulations 2022-2023 Extract for Category 3 Multihulls

### **3.21.3 Emergency Drinking Water**

- a) At least 9 l (2.4 US Gal) of drinking water for emergency use in a dedicated and sealed container or container(s)

### **3.22 Hand Holds**

Adequate hand holds fitted below deck

### **3.23 Bilge Pumps and Buckets**

#### **3.23.1**

- a) two strong buckets, each with a lanyard and of at least 9 l (2.4 US Gal) capacity
- c) provision to pump out all watertight compartments (except those filled with impermeable buoyancy).

#### **3.23.2**

All required permanently installed bilge pumps shall be operable with all cockpit seats, hatches and companionways shut and with permanently installed discharge pipe(s) of sufficient capacity

#### **3.23.3**

Bilge pumps shall not be connected to cockpit drains and shall not discharge into a Closed Cockpit

#### **3.23.4**

Bilge pumps shall be readily accessible for maintenance and for clearing out debris

#### **3.23.5**

All removable bilge pump handles retained by a lanyard

### **3.24 Compass**

- a) Marine magnetic compass capable of being used as a steering compass:
- b) Permanently installed marine magnetic steering compass, independent of any power supply, correctly adjusted with deviation card
- c) a second compass which may be hand-held and/or electronic

### **3.25 Halyards**

- a) A minimum of two halyards, each capable of hoisting a sail, on each mast
- b) No halyard shall be locked, lashed or otherwise secured to the mast in a way that requires a person to go aloft in order to lower a sail in a controlled manner, except for a headsail in use with a furling device.

### **3.27 Navigation Lights**

#### **3.27.1**

that conform to the International Regulations for Preventing Collisions at Sea (Part C and Technical Annex I) and shall be exhibited as required by those regulations.

#### **3.27.2**

mounted above sheerline and so that they will not be masked by sails or the heeling of the boat

#### **3.27.3**

reserve lights having the same specifications as above, and that can be powered independently

#### **3.27.4**

spare bulbs (not required for LED)

### **3.28 Engines, Generators, Fuel**

#### **3.28.1 Propulsion Engines**

- a) engines and associated systems installed in accordance with their manufacturers' guidelines and suitable for the size and intended use of the boat
- b) an engine which provides a minimum speed in knots of  $(1.8 \times \sqrt{LWL}$  in metres) or  $(\sqrt{LWL}$  in feet)
- c) inboard engine, however if less than 12.0 m (39'-4") LH either an inboard engine, or an outboard engine together with permanently installed power supply systems
- d) an inboard combustion engine shall have a permanently installed exhaust, cooling system, fuel supply, fuel tank(s) and shall have adequate heavy weather protection
- e) an inboard electrical engine, when fitted, shall be provided with a permanently installed power supply, adequate heavy weather protection and have an engine control system.

#### **3.28.2 Generator**

If an optional generator separate from the propulsion engine is carried, it shall be installed in accordance with the manufacturer's guidelines

#### **3.28.3 Liquid Fuel Systems**

- a) All fuel tanks for storage of liquid fuels shall be rigid (but may have permanently installed flexible linings) and shall have a shutoff valve
- b) At the start a boat with a combustion engine shall carry sufficient fuel to meet charging requirements for the duration of the race and to motor at the above minimum speed for at least 5 hours

#### **3.28.4 Battery Systems**

- a) a dedicated engine/generator starting battery when an electric starter is the only method for starting the engine and/or separate generator

## Offshore Special Regulations 2022-2023 Extract for Category 3 Multihulls

- b) batteries installed after 2011 shall be of the sealed type from which liquid electrolyte cannot escape
- c) At the start a boat with an electric engine shall carry sufficient capacity to meet electrical requirements for the duration of the race and to motor at the above minimum speed for at least 5 hours

### 3.29 Communications Equipment, GPS, Radar, AIS

- 3.29.1 a marine radio transceiver with an emergency antenna when the regular antenna depends upon the mast
- Sail Canada prescribes that a boat shall have a VHF radio transceiver in accordance with 3.29.2**
- 3.29.2 if the marine radio transceiver is a VHF:
  - a) a minimum rated output power of 25 W
  - b) a masthead antenna and co-axial feeder cable with not more than 40% power loss
  - c) be DSC capable if installed after 2015
  - d) DSC capable VHF transceivers shall be programmed with an assigned MMSI (unique to the boat), be connected to a GPS receiver and be capable of making distress alert calls as well as sending and receiving a DSC position report with another DSC equipped station
- 3.29.5 a hand-held marine VHF transceiver, watertight or with a waterproof cover. When not in use to be stowed in a grab bag or emergency container (see OSR 4.21)
- 3.29.6 a second radio receiver, which may be the handheld VHF in 3.29.5 above, capable of receiving weather bulletins
- 3.29.8 a GPS
- 3.29.13 an AIS Transponder which either:
  - a) shares the masthead VHF antenna via a low loss AIS antenna splitter; or
  - b) has a dedicated AIS antenna not less than 38 cm (15") in length mounted with its base not less than 3 m (10') above the Waterline and co-axial feeder cable with not more than 40% power loss

## SECTION 4 - PORTABLE EQUIPMENT

A boat shall have:

### 4.01 Sail Letters & Numbers

- 4.01.1 Identification on sails which complies with RRS 77 and RRS Appendix G
- 4.01.2 An alternative means of displaying identification as required under RRS Appendix G for a mainsail, to be displayed when none of the numbered sails are set

### 4.02 Search and Rescue Visibility

- 4.02.2 A 1 m<sup>2</sup> (11 ft<sup>2</sup>) area of highly-visible pink, orange or yellow showing when the boat is inverted

### 4.03 Soft Wood Plugs

A tapered soft wood plug stowed adjacent to every through-hull opening

### 4.04 Jackstays and Clipping Points

- 4.04.1 Permanently Installed fittings for jackstay ends and clipping points
- 4.04.2 Jackstays which shall:
  - a) be independent on each side of the deck
  - b) enable a crewmember to move readily between the working areas on deck and the cockpit(s) with the minimum of clipping and unclipping operations
  - c) have a breaking strength of 2040 kg (4500#) and be uncoated and non-sleeved stainless steel 1 x 19 wire of minimum diameter 5 mm (3/16"), webbing or HMPE rope
- 4.04.3 Clipping points which shall:
  - a) be adjacent to stations such as the helm, sheet winches and masts, where crewmembers work
  - b) enable a crewmember to clip on before coming on deck and unclip after going below
  - c) enable two-thirds of the crew to be simultaneously clipped on without depending on jackstays
  - d) on a trimaran with a rudder on the outrigger, permit a crewmember to repair the steering mechanism whilst attached to a clipping point

### 4.05 Fire Fighting Equipment

- 4.05.1 A fire blanket adjacent to every cooking device ~~with an open flame~~
- 4.05.2 2 fire extinguishers, each with 2 kg of dry powder or equivalent, in different parts of the boat

### 4.06 Anchors

- 4.06.2 2 un-modified anchors that meet the anchor manufacturer's recommendation based on the boat's dimensions

## **Offshore Special Regulations 2022-2023 Extract for Category 3 Multihulls**

with suitable combination of chain and rope, ready for immediate assembly, and ready for deployment within 5 minutes except that for a boat less than 8.5 m (28') LH there shall be 1 anchor meeting the same criteria.

### **4.07 Flashlights and Searchlights**

Watertight lights with spare batteries and bulbs as follows:

- a) a searchlight, suitable for searching for a person overboard at night and for collision avoidance
- b) a flashlight in addition to 4.07 a)
- c) the watertight flashlight in OSR 4.07 b) shall be stowed in the grab bag or emergency container

### **4.08 First Aid Manual and First Aid Kit**

A First Aid Manual and First Aid Kit. The contents and storage of the First Aid Kit shall reflect the likely conditions and duration of the passage, and the number of crew

### **4.09 Foghorn**

A foghorn

### **4.10 Radar Reflector**

#### **4.10.1** A passive radar reflector with:

- a) octahedral circular plates of minimum diameter 30 cm (12"), or
- b) octahedral rectangular plates of minimum diagonal dimension 40 cm (16"), or
- c) a non-octahedral reflector with a documented Root Mean Square minimum Radar Cross Section (RCS) area of 2 m<sup>2</sup> (22 ft<sup>2</sup>) from 0-360° of azimuth and ±20° of heel

### **4.11 Navigation Equipment**

#### **4.11.1** Navigational charts (not solely electronic), light list and chart plotting equipment

### **4.12 Safety Equipment Location Chart**

A safety equipment location diagram in durable waterproof material, clearly displayed in the main accommodation, marked with the location of principal items of safety equipment

### **4.13 Depth, Speed and Distance Instruments**

#### **4.13.1** A knotmeter or distance measuring instrument (log)

#### **4.13.2** A depth sounder

### **4.15 Emergency Steering**

#### **4.15.1** An emergency tiller capable of being fitted to the rudder stock except when

- a) the principal method of steering is by means of an unbreakable metal tiller
- b) there are two methods (e.g. tillers, wheels) of controlling a rudder, neither of which shares components with the other except for the rudder stock.

#### **4.15.2** A proven method of emergency steering with the rudder disabled

### **4.16 Tools and Spare Parts**

#### **4.16.1** Tools and spare parts, suitable for the duration and nature of the passage

#### **4.16.2** An effective means to quickly disconnect or sever the standing rigging from the boat

### **4.17 Boat's name**

The boat's name on miscellaneous buoyant equipment, such as lifejackets, cushions, lifebuoys, recovery slings, grab bags etc.

### **4.18 Retro-reflective material**

Marine grade retro-reflective material on lifebuoys, recovery slings, liferafts and lifejackets

### **4.21 Grab Bags**

Either a watertight compartment or a grab bag, readily accessible whether or not the boat is inverted, with the following minimum contents:

- a) a watertight hand-held marine VHF transceiver with spare batteries
- b) a watertight flashlight with spare batteries and bulb
- c) 3 red hand flares
- d) a watertight strobe light with spare batteries
- e) a knife
- f) If a grab bag is provided it shall have inherent flotation, at least 0.1 m<sup>2</sup> (1 ft<sup>2</sup>) area of fluorescent orange

## Offshore Special Regulations 2022-2023 Extract for Category 3 Multihulls

colour on the outside, shall be marked with the name of the boat, and shall have a lanyard and clip

### **4.22 Crew Overboard Identification and Recovery**

[4.22.3](#) a lifebuoy with a self-igniting light, a whistle and a drogue within reach of the helmsman and ready for immediate use

4.22.6 Each inflatable lifebuoy and any automatic device shall be tested and serviced at intervals in accordance with its manufacturer's instructions

[4.22.7](#) A heaving line, no less than 6 mm (1/4") diameter, 15 - 25 m (50 - 75') long, readily accessible to cockpit

[4.22.8](#) A recovery sling which includes a:

- a) buoyant line of length no less than the shorter of 4 times LH or 36m (120')
- b) buoyancy section (horseshoe) with no less than 90 N (20#) buoyancy
- c) minimum strength capable to hoist a crewmember aboard

### **[4.23](#) Pyrotechnic and Light Signals**

Pyrotechnic signals shall be provided conforming to SOLAS LSA Code Chapter III Visual Signals and not older than the stamped expiry date (if any) or if no expiry date stamped, not older than 4 years.

- a) 2 orange smoke LSA III 3.3
- b) 4 red hand flares LSA III 3.2

### **[4.25](#) Cockpit Knife**

A strong, sharp knife, sheathed and securely restrained shall be provided readily accessible from the deck or a cockpit.

### **4.26 Storm & Heavy Weather Sail Inventory**

the following storm & heavy weather sails as specified in OSR 4.27:

[4.26.1](#) either a storm trysail or mainsail reefing to reduce the luff by at least 40% (or rotating wing mast if suitable)

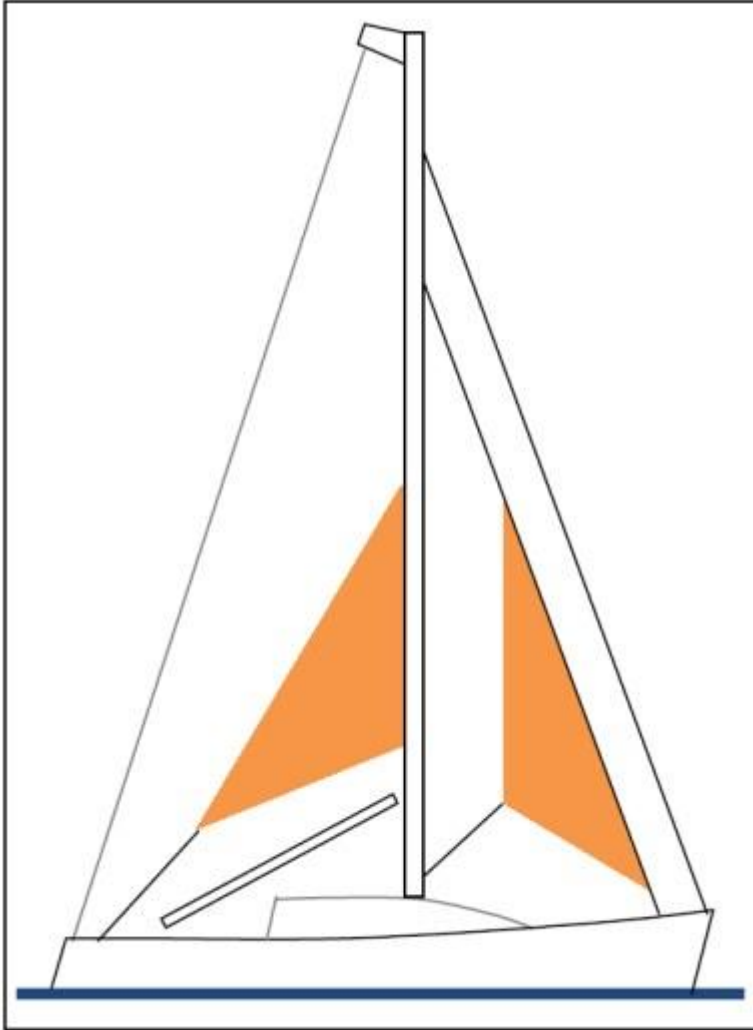
[4.26.2](#) heavy weather jib

## Offshore Special Regulations 2022-2023 Extract for Category 3 Multihulls

### 4.27 Storm & Heavy Weather Sail Specifications

#### 4.27.1 Design

Figure 3



- a) The material of the body of a storm sail purchased after 2013 shall have a highly-visible colour (e.g. dayglo pink, orange or yellow)
- b) Aromatic polyamides, carbon and similar fibres shall not be used in a trysail or storm jib but HMPE and similar materials are permitted
- c) Sheeting positions on deck for each storm and heavy-weather sail
- d) Sheeting positions for the trysail independent of the boom
- e) The maximum area of storm and heavy weather sails shall be lesser of the areas below or as specified by the boat designer or sailmaker
- f) For sails made after 2011: Storm and heavy weather jib areas calculated as:  $(0.255 \times \text{luff length} \times (\text{luff perpendicular} + 2 \times \text{half width}))$

#### 4.27.3 A heavy-weather jib (or heavy-weather sail in a boat with no forestay) with:

- a) area of 13.5% height of the foretriangle squared
- b) readily available means, independent of a luff groove, to attach to the stay

## SECTION 5 - PERSONAL EQUIPMENT

Each crew member shall have:

### 5.01 Lifejacket

#### 5.01.1 A lifejacket which shall:

## Offshore Special Regulations 2022-2023 Extract for Category 3 Multihulls

- a) i if manufactured before 2012 comply with ISO 12402 - 3 (Level 150) or equivalent, including EN 396 or UL 1180 and:
- if inflatable have a gas inflation system
  - have crotch/thigh straps (ride up prevention system (RUPS))

### Sail Canada prescribes either:

- ii if manufactured after 2011 comply with ISO 12402-3 (Level 150) and be fitted with a whistle, lifting loop, reflective material automatic/manual gas inflation system
- crotch/thigh straps (ride up prevention system (RUPS))

or

- iii if manufactured after 2011 comply with UL 1180 and be fitted with a whistle, reflective material and:

- crotch/thigh straps (ride up prevention system (RUPS))

### Sail Canada note - ISO 12402 is not currently approved by Transport Canada

- b) have an emergency position indicating light in accordance with either ISO 12402-8 or SOLAS LSA code 2.2.3
- c) be clearly marked with the boat's or wearer's name
- d) have a sprayhood in accordance with ISO 12402-8
- f) if inflatable, regularly checked for air retention

5.01.2 A boat shall carry at least one gas inflatable lifejacket spare cylinder and, if appropriate, spare activation head for each type of lifejacket on board.

5.01.4 The person in charge shall personally check each lifejacket at least once annually.

## 5.02 Safety Harness and Tethers

5.02.1 A harness that complies with ISO 12401 or equivalent

5.02.2 A tether that shall:

- a) comply with ISO 12401 or equivalent
- b) not exceed 2 m (6'-6") including the length of the hooks
- c) have self-closing hooks
- d) have overload indicator flag embedded in the stitching
- e) be manufactured after 2000

5.02.3 All of the crew shall have either:

- a) a tether not exceeding 1 m (3'-3") including the length of the hooks, or
- b) an intermediate self-closing hook on a 2 m (6'-6") tether

5.02.5 A tether which has been overloaded shall be replaced

## SECTION 6 - TRAINING

6.01.2 **Sail Canada prescribes that, starting January 1, 2023-2022, at least 30% but not fewer than two crewmembers, including the Person in Charge, shall have undertaken a one-day Sail Canada accredited (or equivalent) coastal personal survival course within the five years before the start of the race.**

6.01.3 When there are only two crewmembers, at least one shall have undertaken training within the five years before the start of the race in OSR 6.02 Training Topics

**Sail Canada prescribes that undertaking a one-day Sail Canada accredited (or equivalent) coastal personal survival training course will meet the requirements of OSR 6.01.3 above.**

6.01.5 **As the availability of personal survival training has been and continues to be impacted by the current global pandemic, Sail Canada prescribes that until December 31, 2021-2022, where the crewmember does not have the currently valid training and certificates required in sections 6.01.2, 6.01.3, and 6.01.4, Organizing Authorities may accept as compliant either:**

- a) otherwise valid training and certificates that expired in 2020, 2021 or 2022 ~~or 2021~~, or
- b) a combination of other training, qualifications, and experience which is objectively assessed on a case by case basis to be equivalent to the applicable requirements.

## 6.04 Routine Training On-Board

At least annually the crews shall practice the drills for:

~ Including Sail Canada Prescriptions ~ Page 14 of 19 ~

## **Offshore Special Regulations 2022-2023 Extract for Category 3 Multihulls**

- a) Crew-Overboard Recovery
- b) Abandonment of vessel

### **6.05 Medical Training**

- 6.05.3 At least one member of the crew shall be familiar with First Aid procedures, hypothermia, drowning, cardio-pulmonary resuscitation and relevant communications systems

*The appendices listed below are included in the "Complete" version of the current World Sailing OSR available at <https://www.sailing.org/inside-world-sailing/rules-regulations/offshore-special-regulations/>*

#### **APPENDICES TO THE OFFSHORE SPECIAL REGULATIONS**

**Appendix A - Moveable and Variable Ballast**

**Appendix B - For Inshore Racing**

**Appendix C - For Inshore Dinghy Racing**

**Appendix D - A guide to ISO and other Standards**

**Appendix E - World Sailing Code for the organisation of Oceanic Races**

**Appendix F - Standard Inspection Card**

**Appendix G - Model Training Course**

**Appendix H - Model First Aid Training Course**

**Appendix J – Hypothermia**

**Appendix K - Drogues and sea anchors**

**Appendix L - Model Keel and Rudder Inspection Procedure**



# World Sailing Appendix F

## Inspection Card

For **Category 3 Multihulls**

**JANUARY 2022 – DECEMBER 2023**

© ORC Ltd. 2002, amendments 2003-2022 © World Sailing Limited

**Version 0.8 – 15 February 2022**



### Instructions

- **PERSON IN CHARGE** (see Racing Rules of Sailing 46): please fill in this form, prepare the boat, initial above each underline and sign where indicated.
- **INSPECTORS** mark each inspected item with a checkmark or cross. Note any deficiencies on the *Deficiency Report*. Show the *Deficiency Report* to the *Person in Charge*, then return the report to the *Race Committee* as soon as possible.

**Boat** \_\_\_\_\_

**Sail Number** \_\_\_\_\_

**No of persons on board** \_\_\_\_\_

**Disclaimer of Liability** The inspection is carried out as a courtesy. An inspector cannot limit or reduce the complete and unlimited responsibility of the owner and the person in charge.

"I hereby declare that I am the *Person in Charge*, that wherever I initial an item on this checklist it conforms to its associated [Offshore Special Regulations](#) (OSR), that I have read and understand the OSRs and in particular [1.02.1](#) and [1.02.2](#)

**Signed** \_\_\_\_\_ **Date** \_\_\_\_\_

**Printed Name** \_\_\_\_\_

Note: PURPLE text indicates additional requirements to category 4

**Precedence:** The checklist below is in point form. In all cases the full text in the Offshore Special Regulations takes precedence.

Inspector only ↓  
Person in Charge initials here ↓

#### Lay out on Chart Table or Other Surface

- |                        |                                                                        |       |                          |
|------------------------|------------------------------------------------------------------------|-------|--------------------------|
| <a href="#">4.11.1</a> | Charts (not solely electronic), light list, plotting equipment         | _____ | <input type="checkbox"/> |
| <a href="#">6.01.3</a> | WS approved survival training certificates (doublehanded only)         | _____ | <input type="checkbox"/> |
| <a href="#">6.04</a>   | Proof that crew-overboard recovery has been practiced within past year | _____ | <input type="checkbox"/> |
| 6.04                   | Proof that abandonment of vessel has been practiced within past year   | _____ | <input type="checkbox"/> |

#### Lay out on Bunk(s)

- |                        |                                                                   |       |                          |
|------------------------|-------------------------------------------------------------------|-------|--------------------------|
| <a href="#">3.29.1</a> | Emergency antenna for each type of installed radio transceiver    | _____ | <input type="checkbox"/> |
| <a href="#">3.29.6</a> | 2nd radio capable of receiving weather, could be the handheld VHF | _____ | <input type="checkbox"/> |
| <a href="#">4.08</a>   | First Aid Manual and First Aid Kit                                | _____ | <input type="checkbox"/> |
| <a href="#">4.09</a>   | Foghorn                                                           | _____ | <input type="checkbox"/> |
| <a href="#">4.16.1</a> | Tools, spare parts, method to disconnect/sever standing rigging   | _____ | <input type="checkbox"/> |



**Offshore Special Regulations 2022-2023 Extract for Category 3 Multihulls**

- [4.23](#) Flares, 4 red hand-held and 2 orange smoke, LSA III \_\_\_\_\_
- [5.01](#) Lifejacket c/w lights, whistle etc., 1 for each crew, marked with name \_\_\_\_\_
- [5.01.1](#) Each lifejacket has crotch or thigh straps & harness \_\_\_\_\_
- [5.01.1](#) Each lifejacket has a sprayhood \_\_\_\_\_
- [5.01.2](#) Spare cylinder and activation head for each type on board \_\_\_\_\_
- [5.01.4](#) Each lifejacket inspected by the person in charge within last 12 months \_\_\_\_\_
- [5.02.1](#) Safety harness for each crew \_\_\_\_\_
- [5.02.2](#) 2 m (6'-6") tether, with coloured overload flag, for each crew \_\_\_\_\_
- [5.02.3](#) Mid-tether hook on 2 m tether, or 1 m (3'-3") tether for each crewmember \_\_\_\_\_

**In the Grab Bag**

- [4.21](#) Watertight compartment or grab bag \_\_\_\_\_
- [4.21](#) Watertight hand-held marine VHF transceiver w/ spare batteries \_\_\_\_\_
- [4.21](#) Watertight flashlight with spare batteries & bulb \_\_\_\_\_
- [4.21](#) 3 red hand flares \_\_\_\_\_
- [4.21](#) Watertight strobe light \_\_\_\_\_
- [4.21](#) Knife \_\_\_\_\_
- [4.21](#) Grab bag, if provided, has inherent flotation and 0.1 m<sup>2</sup> (1 ft<sup>2</sup>) bright colour \_\_\_\_\_

**Below Deck Inspection**

- [3.07.1](#) 2 exits in each hull which contains accommodations \_\_\_\_\_
- [3.07.2](#) Escape hatch in each hull which contains accommodations \_\_\_\_\_
- [3.08.3](#) Portlights that open inward labelled "NOT TO BE OPENED AT SEA" \_\_\_\_\_
- [3.10](#) Sea cocks or valves on through-hull openings below waterline \_\_\_\_\_
- [3.12](#) Heel of keel-stepped mast is secured to structure \_\_\_\_\_
- [3.13.1](#) Crash bulkhead or permanently installed foam buoyancy \_\_\_\_\_
- [3.18.2](#) Toilet, permanently installed, or fitted bucket \_\_\_\_\_
- [3.19.2](#) Bunks, permanently installed \_\_\_\_\_
- [3.20](#) Cooking stove, permanently installed, with fuel shut-off \_\_\_\_\_
- [3.21.1](#) Permanently installed water delivery pump and water tank(s) \_\_\_\_\_
- [3.22](#) Hand holds below deck \_\_\_\_\_
- [3.27.4](#) Spare bulbs for navigation lights (not required for LED) \_\_\_\_\_
- [3.28.4](#) Separate engine starting battery or hand-starting device \_\_\_\_\_
- [3.28.4](#) Batteries are of sealed type \_\_\_\_\_
- [3.29.2](#) 25W DSC enabled VHF w/ masthead antenna & programmed MMSI \_\_\_\_\_
- [3.29.13](#) AIS Transponder w/ shared masthead or raised dedicated antenna \_\_\_\_\_
- [4.03](#) Tapered soft wood plug at each through-hull opening \_\_\_\_\_
- [4.05.1](#) Fire blanket adjacent to every cooking device \_\_\_\_\_
- [4.05.2](#) 2 fire extinguishers, 2 kg each in different parts of the boat \_\_\_\_\_
- [4.12](#) Safety equipment location chart \_\_\_\_\_

**At Helm or Ready for Rapid Deployment**

- [4.22.3](#) Lifebuoy with self-igniting light, whistle and drogue \_\_\_\_\_

**Offshore Special Regulations 2022-2023 Extract for Category 3 Multihulls**

<a href="#">4.22.7</a>	Heaving line, pref. 'Throwing sock' type, 6mm (1/4") 15-25m (50-75')	_____	<input type="checkbox"/>
<a href="#">4.22.8</a>	Recovery Sling (Lifesling® or equivalent)	_____	<input type="checkbox"/>
<a href="#">4.25</a>	Strong, sharp knife, sheathed and securely restrained	_____	<input type="checkbox"/>
<b>On Deck, Where Stowed or Ready for Deployment</b>			
<a href="#">3.08.4</a>	Hatch blocking devices (panels) attached and can be secured in place	_____	<input type="checkbox"/>
<a href="#">4.06.2</a>	2 suitably sized anchors and rode ready for immediate use	_____	<input type="checkbox"/>
<a href="#">4.07</a>	Watertight high powered searchlight with spare batteries and bulbs	_____	<input type="checkbox"/>
4.07	2nd watertight flashlight with spare batteries and bulbs	_____	<input type="checkbox"/>
<b>Rigged/Fitted to Demonstrate Use</b>			
<a href="#">3.27.1</a>	Navigation lights, above sheerline and not obscured when sailing	_____	<input type="checkbox"/>
<a href="#">3.27.3</a>	Reserve navigation lights, can be powered separately	_____	<input type="checkbox"/>
<a href="#">4.01.2</a>	Alternate method for displaying sail letters and numbers	_____	<input type="checkbox"/>
<a href="#">4.04.2</a>	Jack stays are independent on each side of the deck	_____	<input type="checkbox"/>
4.04.2	Jack stays to permit crew to move between work stations while clipped	_____	<input type="checkbox"/>
<a href="#">4.04.3</a>	Clipping points at work stations so that 2/3 can clip on without jack stays	_____	<input type="checkbox"/>
<a href="#">4.10.1</a>	Radar reflector, 30 cm (12") dia octahedral or minimum RCS of 2 m²	_____	<input type="checkbox"/>
<a href="#">4.15.1</a>	Emergency tiller	_____	<input type="checkbox"/>
<a href="#">4.15.2</a>	Proven method of emergency steering with the rudder disabled	_____	<input type="checkbox"/>
<a href="#">4.26.1</a>	Either a storm trysail or reefing to reduce mainsail luff by 40%	_____	<input type="checkbox"/>
<a href="#">4.26.2</a>	Heavy weather jib, attachable independent of luff groove	_____	<input type="checkbox"/>
<a href="#">4.27.1</a>	Sheeting positions for each heavy/storm sail	_____	<input type="checkbox"/>
<b>General</b>			
<a href="#">2.04</a>	All equipment is readily available, adequately sized, in date and functions	_____	<input type="checkbox"/>
<a href="#">2.04.2</a>	Heavy items are permanently installed or securely fastened	_____	<input type="checkbox"/>
<a href="#">3.02</a>	Boat is strongly built, seaworthy and watertight	_____	<input type="checkbox"/>
<a href="#">3.05.1</a>	Transverse watertight bulkheads 4 m (13'-3") in non-accommodation hulls	_____	<input type="checkbox"/>
3.07.2	Handholds and clipping points on underside of boat	_____	<input type="checkbox"/>
<a href="#">3.08.1</a>	Forward hatches open outward only	_____	<input type="checkbox"/>
<a href="#">3.08.2</a>	Hatches are attached, above water at 90° heel & operable if capsized	_____	<input type="checkbox"/>
<a href="#">3.08.7</a>	Companionway sill is above local sheerline, or acceptable alternative	_____	<input type="checkbox"/>
<a href="#">3.09.1</a>	Cockpit is strong, watertight and meets OSR size and drainage	_____	<input type="checkbox"/>
<a href="#">3.14.1</a>	Double lifelines & pulpits, surround entire deck, 600 mm (24") high	_____	<input type="checkbox"/>
<a href="#">3.15</a>	Nets (trampolines) meet OSR	_____	<input type="checkbox"/>
<a href="#">3.21.3</a>	Emergency drinking water 9 l (2.4 US Gal) in dedicated, sealed containers	_____	<input type="checkbox"/>
<a href="#">3.23.1</a>	2 strong buckets, each with lanyard and 9 l (2.4 US Gal) capacity	_____	<input type="checkbox"/>
3.23.1	Provision to pump out all watertight compartments (excluding foam filled)	_____	<input type="checkbox"/>
<a href="#">3.23.2</a>	Permanently installed manual bilge pump operable with all hatches closed	_____	<input type="checkbox"/>
<a href="#">3.24</a>	Magnetic compass, unpowered, with deviation chart	_____	<input type="checkbox"/>
3.24	2nd magnetic compass, may be hand-held and/or electronic	_____	<input type="checkbox"/>
<a href="#">3.25</a>	2 halyards per mast, each capable of hoisting a sail	_____	<input type="checkbox"/>

**Offshore Special Regulations 2022-2023 Extract for Category 3 Multihulls**

<a href="#">3.28.1</a>	Propulsion engine provides minimum speed of 3/4 hull speed	_____	<input type="checkbox"/>
3.28.1	Propulsion engine, inboard if LH is 12 m or over	_____	<input type="checkbox"/>
<a href="#">3.28.3</a>	Fuel or battery capacity to motor at 3/4 hull speed for 5 hours + electric needs	_____	<input type="checkbox"/>
<a href="#">3.29.8</a>	GPS	_____	<input type="checkbox"/>
<a href="#">4.01.1</a>	Sail letters and numbers meeting RRS 77 & RRS G	_____	<input type="checkbox"/>
<a href="#">4.02.2</a>	1 m <sup>2</sup> fluorescent pink, orange or yellow on underside	_____	<input type="checkbox"/>
<a href="#">4.13.1</a>	Knotmeter or log	_____	<input type="checkbox"/>
<a href="#">4.13.2</a>	Depth sounder	_____	<input type="checkbox"/>
<a href="#">4.17</a>	Boat's name on buoyant equipment	_____	<input type="checkbox"/>
<a href="#">4.18</a>	Marine grade retro-reflective material on buoyant equipment	_____	<input type="checkbox"/>